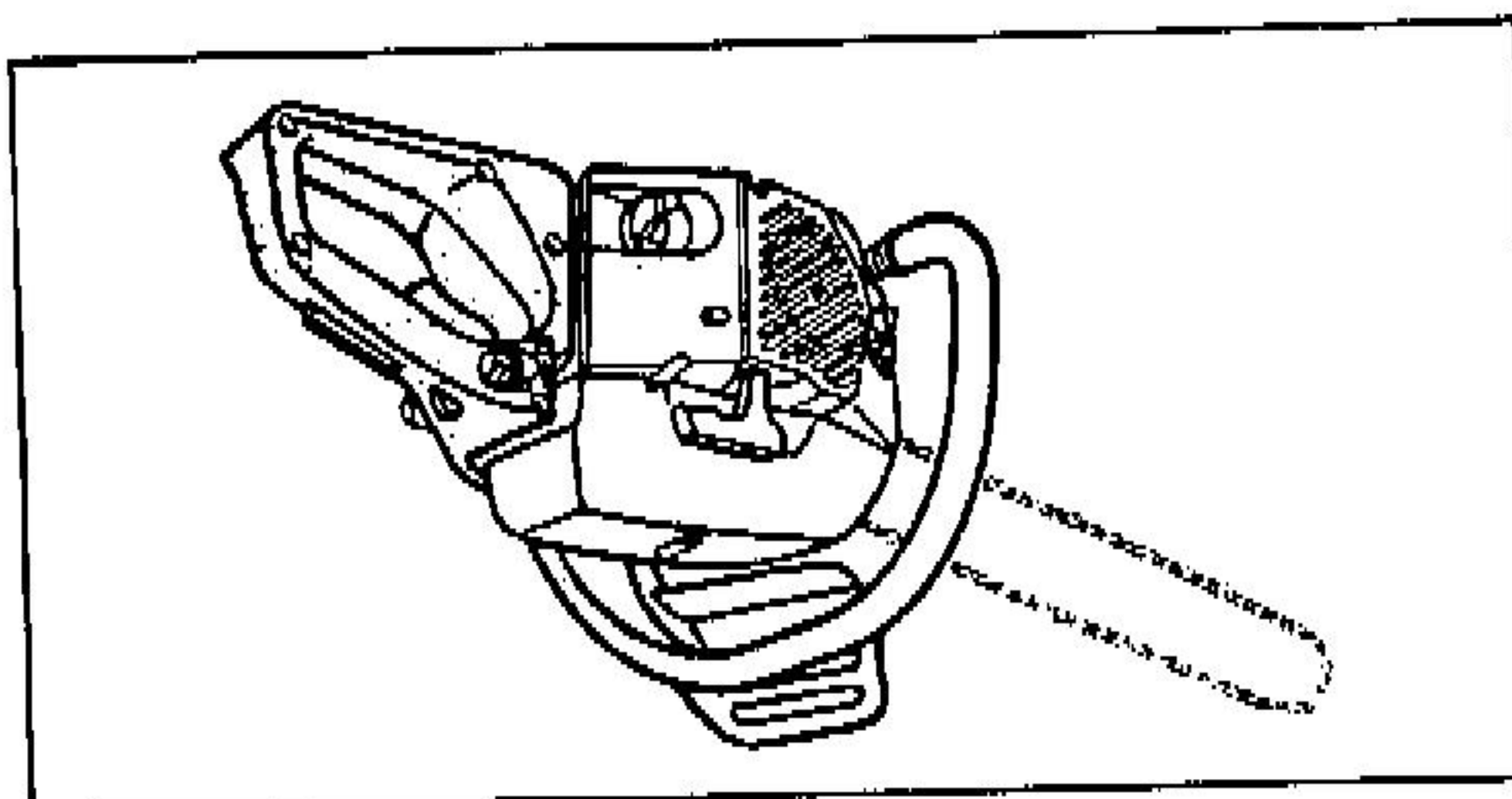


September 1997

5



SERIAL NUMBER PREFIX 01 - 02

Plastik-BOX = 247563

CALIFORNIA 2000 MAC 538-540

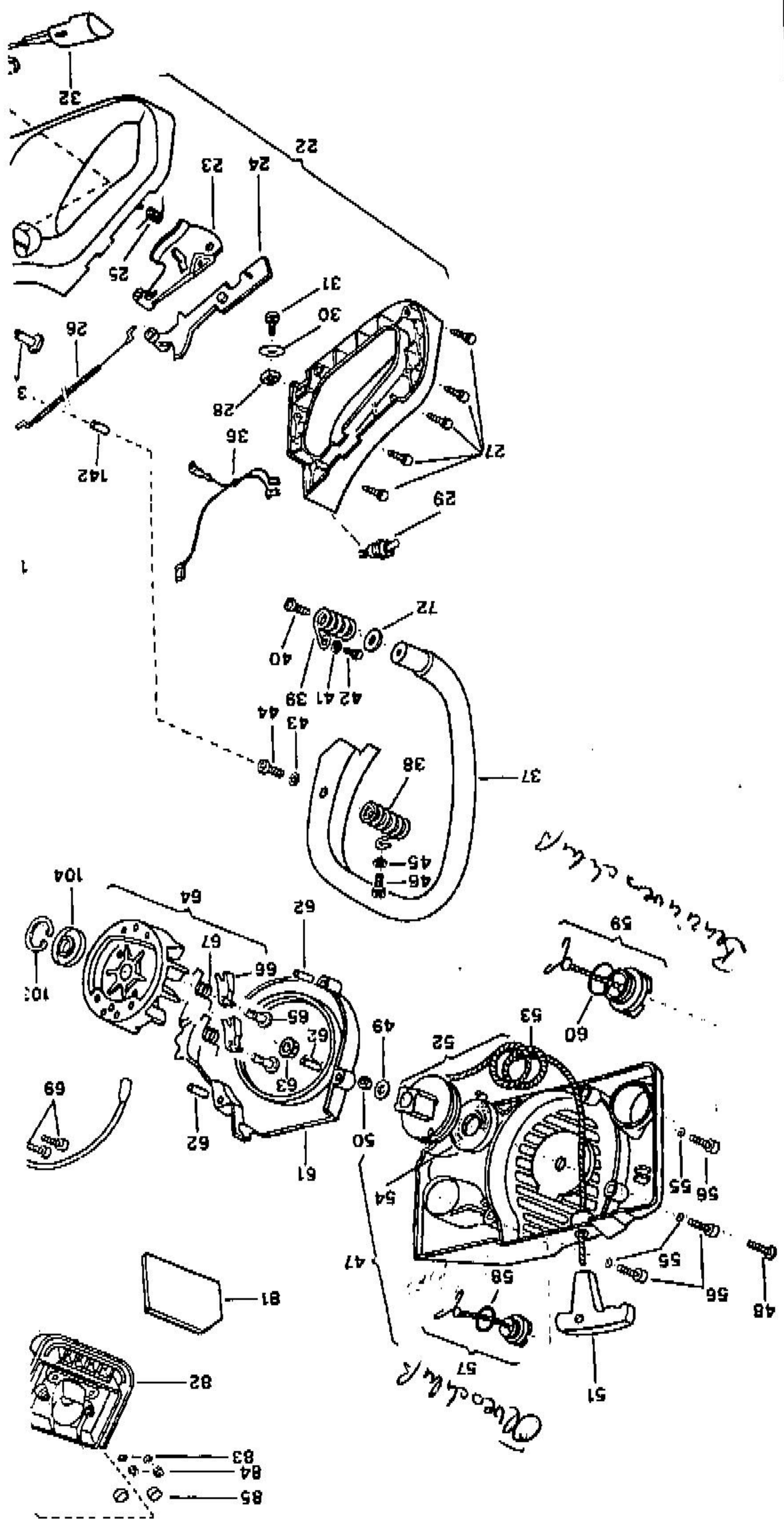
FloraSelf 38

ILLUSTRATED PARTS LIST

MAGULLOCH

A - high moving - alta rotazione - haute demande - große Nachfrage
 B - medium moving - media rotazione - moyenne demande - mittlerige Nachfrage
 C - low moving - bassa rotazione - basse demande - wenig Nachfrage

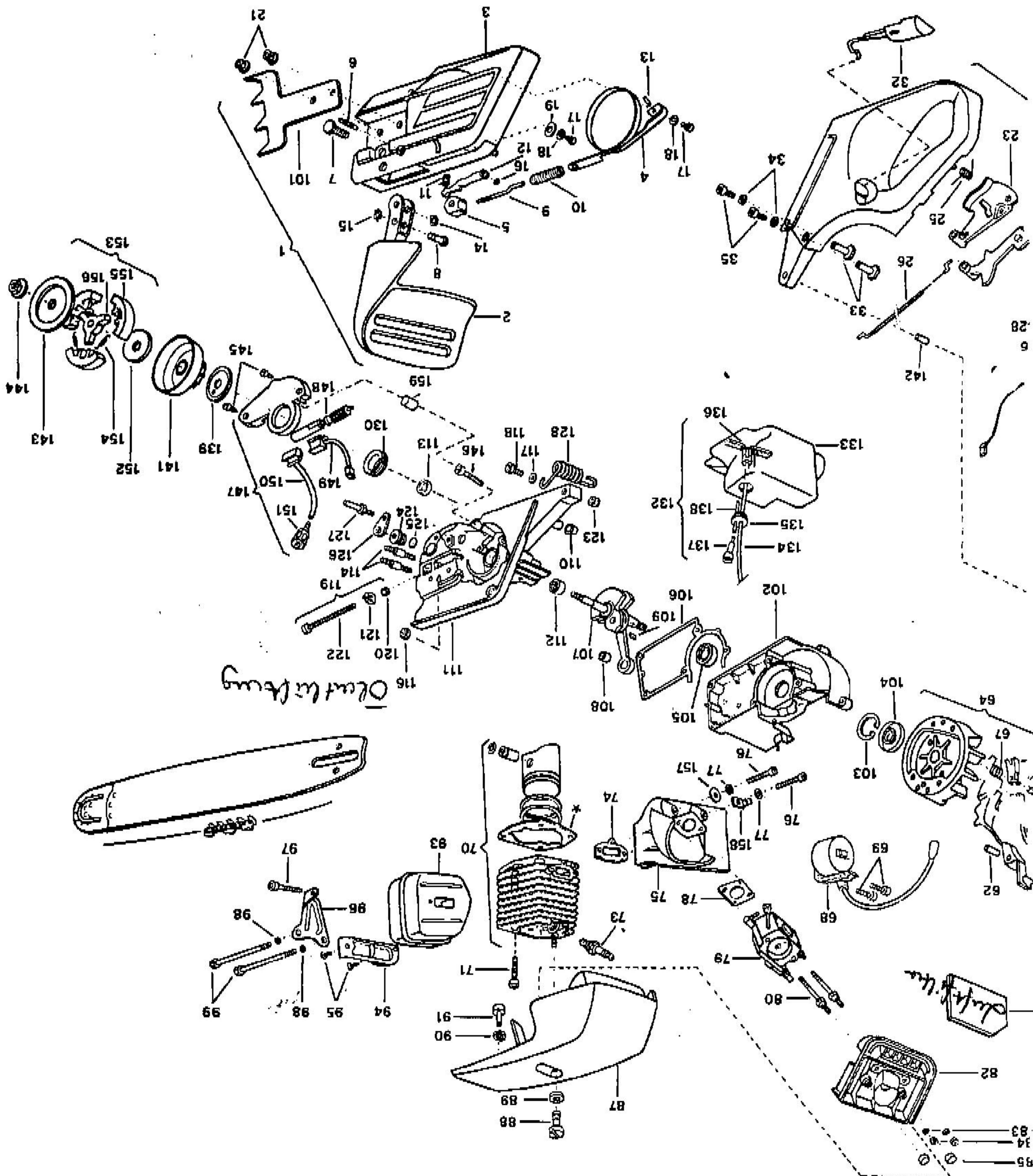
FIGURE 1



* Spun Nr 1 / 244422
 Nr. 87 / 244420

1	A	241235	1	236529	77
2	A	240288	1	227692	78
3	A	240287	1	227692	79
4	B	240311	2	240328	80
5	B	227349	1	241238	81
6	B	240326	1	240262	82
7	B	227351	2	235248	83
8	B	227352	2	229208	84
9	B	240928	2	241239	85
10	B	240929	1	241236 MAC	87
11	B	240690	1	241250 CALIFORNIA	88
12	B	227521	1	240320	89
13	B	229394	1	240321	89
14	B	227524	1	236936	90
15	B	235367	1	240272	91
16	B	235811	1	240297	94
17	B	240863	2	236981	95
18	B	235500	2	240299	96
19	B	227259	1	236997 MSX30	97
20	A	235217	2	227626	98
21	A	235217	2	227626	98
22	C	240339	1	227567 MSX70	99
23	C	240301	1	240873	101
24	C	240302	1	247757	102
25	C	240303	1	235899	103
26	C	240367	1	228872	104
27	C	240862	1	235900	105
28	C	229524	1	240312	106
29	C	240859	1	241255	107
30	C	227259	1	235742	108
31	C	240845 MSX16	1	227631	109
32	C	247259	1	235672	110
33	C	240315	2	247758	111
34	C	235248	2	241253	112
35	C	235802 MSX14	2	228872	113
36	C	240370	1	240348	114
37	C	240281	1	235735	116
38	B	241231	1	227259	117
39	B	240285	1	235806 MSX20	118
40	B	240354	1	240317	119
41	B	235248	1	235642	120
42	B	235802 MSX14	1	240205	121
43	B	235248	1	240318 MSX65	122
44	B	235803 MSX25	1	235642	123
45	B	227259	1	240310	124
46	B	235802 MSX14	1	240333	125
47	B	240336	1	240309	126
48	B	240316 MSX35	1	240363	127
49	B	240921	1	240286	128
50	B	229208	1	241227	130
51	B	240884	1	240920	132
52	B	235372	1	240300	133
53	B	235042	1	240868	134
54	B	235040	1	235675	135
55	B	235248	3	240452	136
56	B	236997 MSX30	3	227582	137
57	B	235552	1	229716	138
58	B	235511	1	241099	139
59	B	241234	1	240260 3/8	141
60	C	235510	1	240323	142
61	C	247290	1	241275	143
62	C	240358	3	241285	144
63	C	235218	1	229250 MSX8	145
64	C	241204	1	236997 MSX30	146
65	B	235516	2	241100	147
66	B	235517	2	228854	148
67	B	235518	2	240308	149
68	C	241229 DUCATI	1	240874	150
69	C	241291 SEM	1	300870	151
70	C	FIGURE 2	2	241272	152
71	C	227565 MSX25	4	240926	154
72	A	236934	1	227359	155
73	A	92879	1	241273	156
74	B	240345	1	235248	157
75	B	240271	1	228139	158
76	B	236997 MSX30	2	241162	159

7

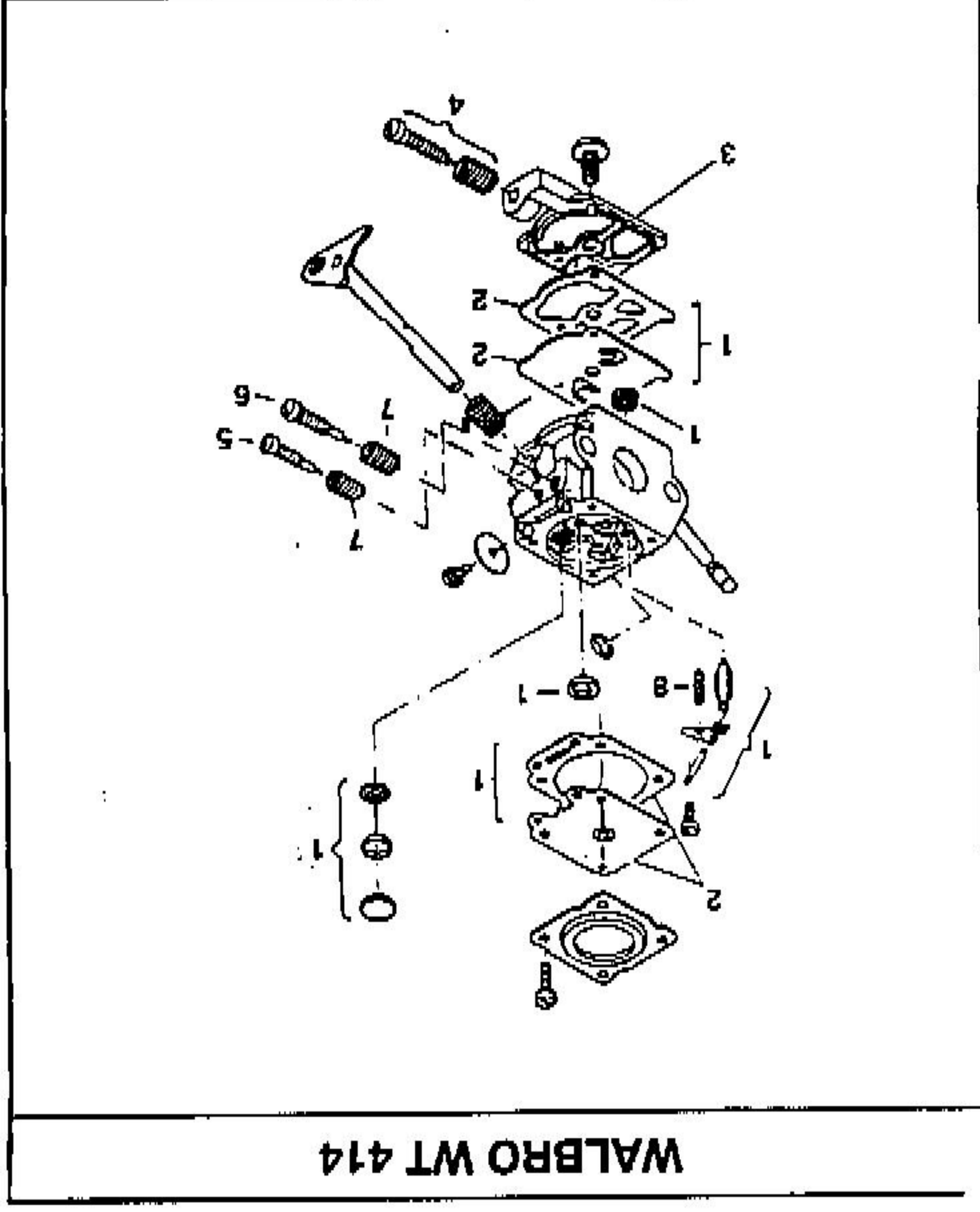


- B Kit gasket PN 247249 (-58-60-74-78-106-125)
- B Kit guarnizioni PN 247249 (-58-60-74-78-106-125)
- B Kit joint PN 247249 (-58-60-74-78-106-125)
- B Kit dichtung PN 247249 (-58-60-74-78-106-125)

FIGURE 3

A - high moving - alta rotazione - haute demande - große Nachfrage
 B - medium moving - media rotazione - moyenne demande - mittelmäßige Nachfrage
 C - slow moving - bassa rotazione - basse demande - wenige Nachfrage

C	-	240350	carbur.	1
B	1	247260		1
A	2	229191		1
	3	247261		1
	4	237481		1
	5	247388	H	1
	6	246540	L	1
	7	229601		2
	8	247387		1



WALBRO WT 414

8

8

FIGURE 2

	40 cc	<table border="1"> <tr> <td>C</td> <td>1</td> <td>247254</td> <td></td> <td>1</td> </tr> <tr> <td>B</td> <td>2</td> <td>240343</td> <td></td> <td>1</td> </tr> <tr> <td>C</td> <td>3</td> <td>247257</td> <td></td> <td>1</td> </tr> <tr> <td></td> <td>4</td> <td>235008</td> <td></td> <td>2</td> </tr> <tr> <td>B</td> <td>5</td> <td>240085</td> <td></td> <td>2</td> </tr> </table>	C	1	247254		1	B	2	240343		1	C	3	247257		1		4	235008		2	B	5	240085		2
	C	1	247254		1																						
B	2	240343		1																							
C	3	247257		1																							
	4	235008		2																							
B	5	240085		2																							
38 cc	<table border="1"> <tr> <td>C</td> <td>1</td> <td>247253</td> <td></td> <td>1</td> </tr> <tr> <td>B</td> <td>2</td> <td>240343</td> <td></td> <td>1</td> </tr> <tr> <td>C</td> <td>3</td> <td>247256</td> <td></td> <td>1</td> </tr> <tr> <td>B</td> <td>4</td> <td>235008</td> <td></td> <td>2</td> </tr> <tr> <td>B</td> <td>5</td> <td>240005</td> <td></td> <td>2</td> </tr> </table>	C	1	247253		1	B	2	240343		1	C	3	247256		1	B	4	235008		2	B	5	240005		2	
C	1	247253		1																							
B	2	240343		1																							
C	3	247256		1																							
B	4	235008		2																							
B	5	240005		2																							